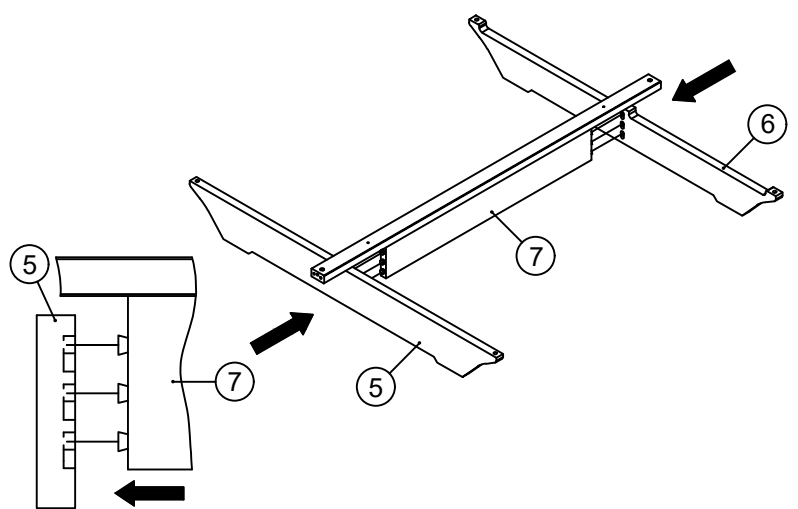
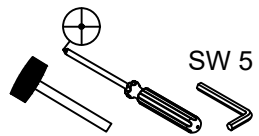
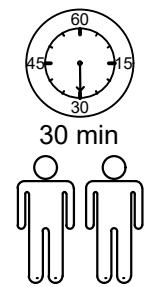
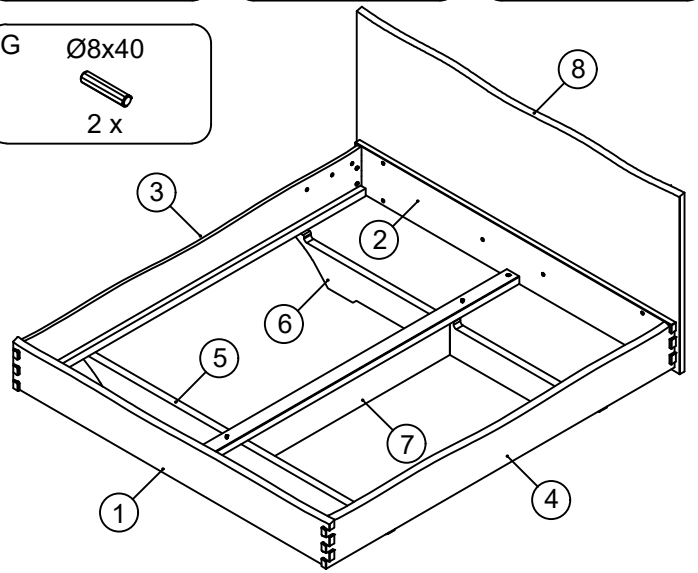
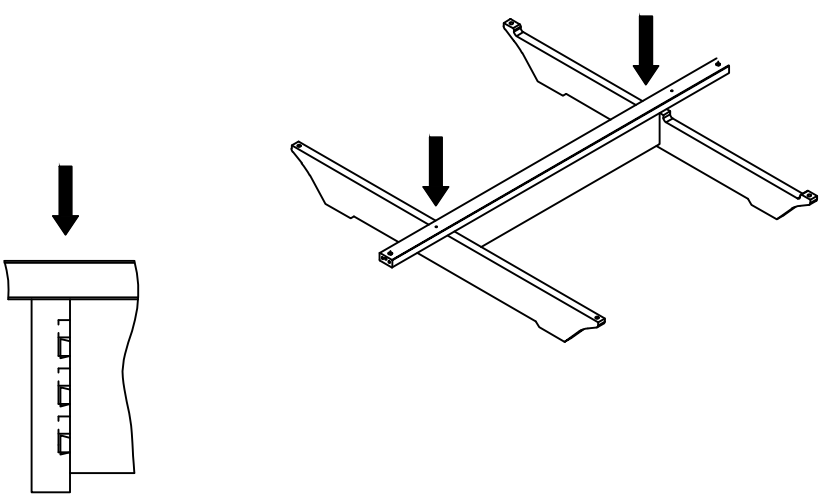


- A Ø8x46
10 x
- B Ø14x17
10 x
- C M8x10
10 x
- D M8x50
6 x
- E Ø16x50
4 x

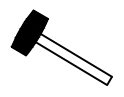
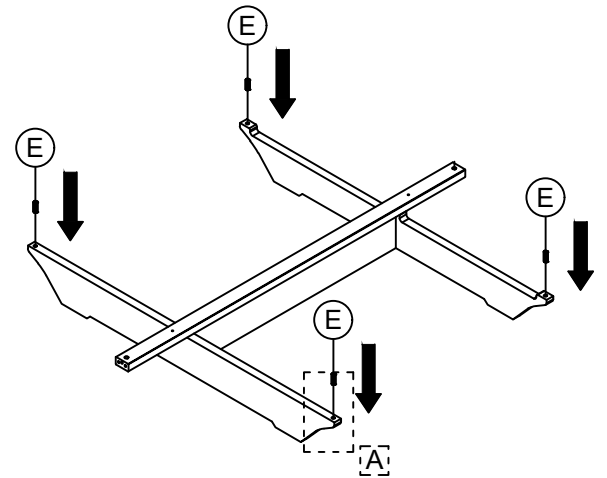
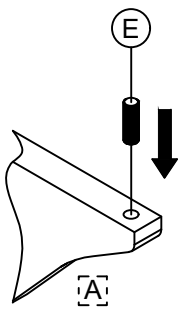
- F Ø10x40
4 x
- G Ø8x40
2 x



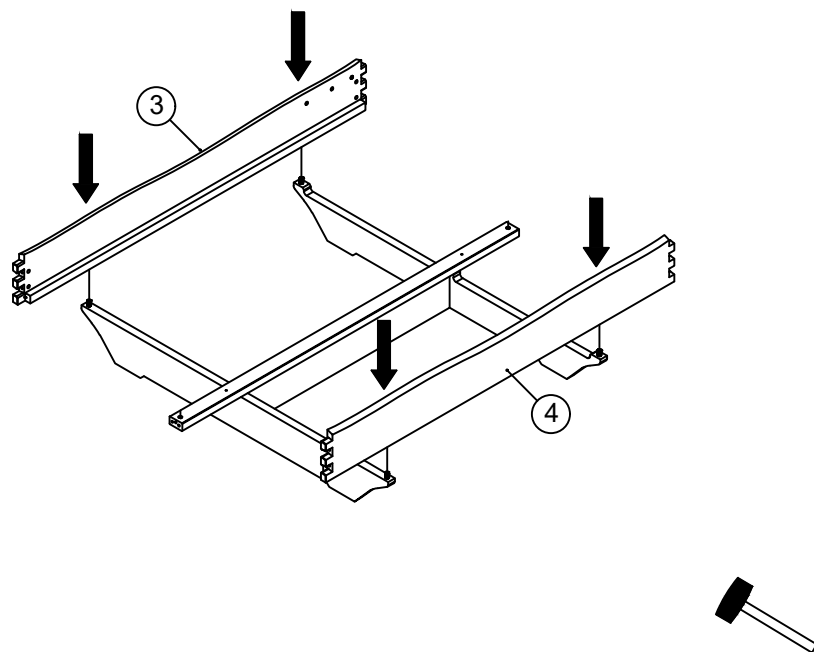
Schwebbett



- E Ø16x50
4 x

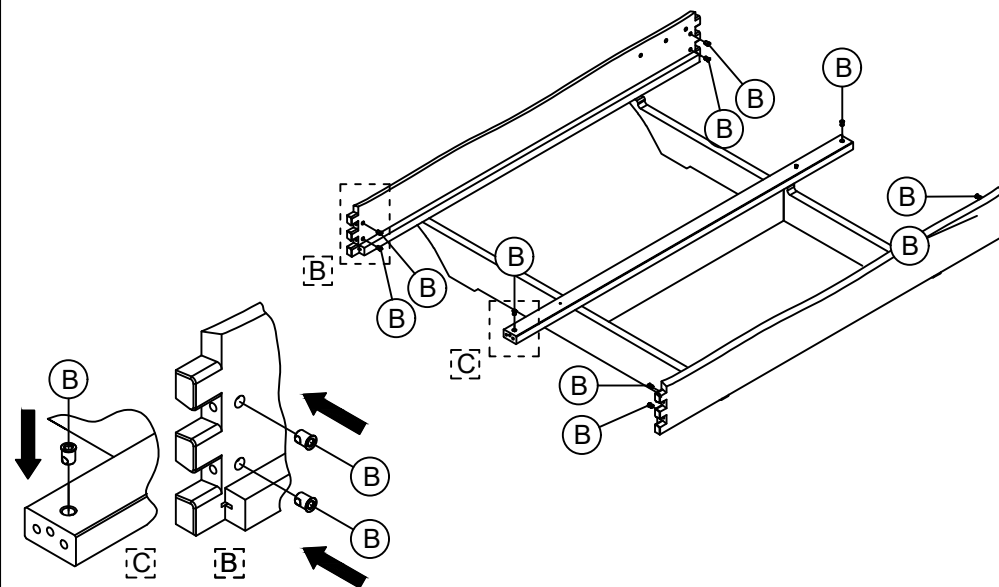


4



5

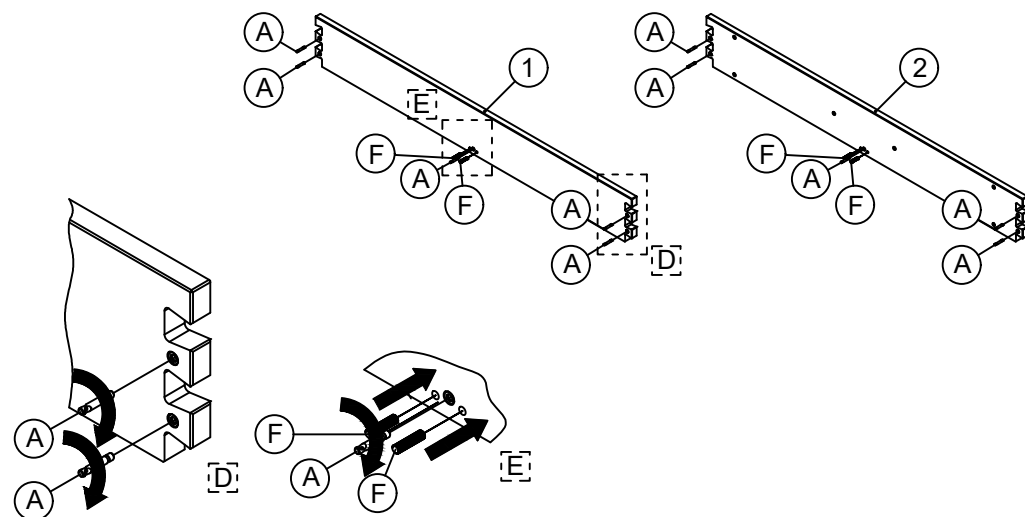
B $\varnothing 14 \times 17$
10 x



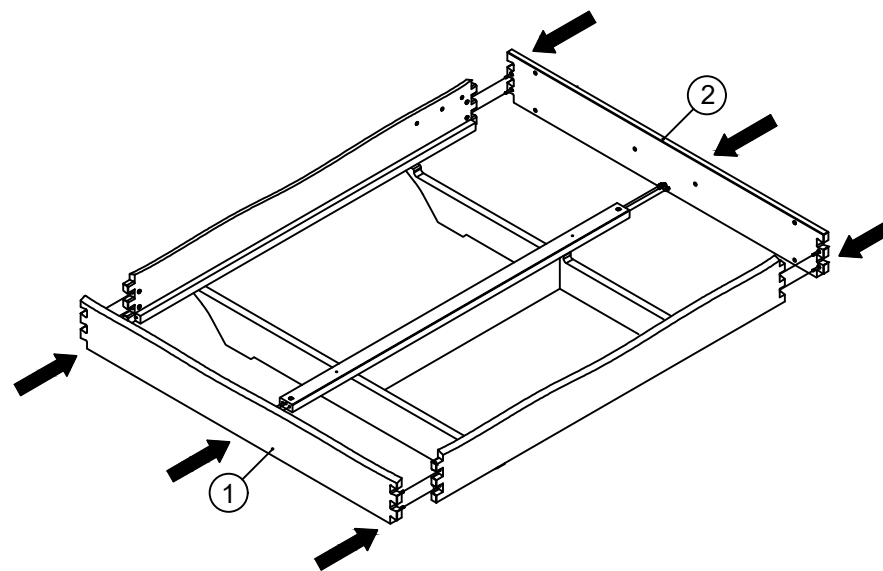
6

A $\varnothing 8 \times 46$
10 x

F $\varnothing 10 \times 40$
4 x

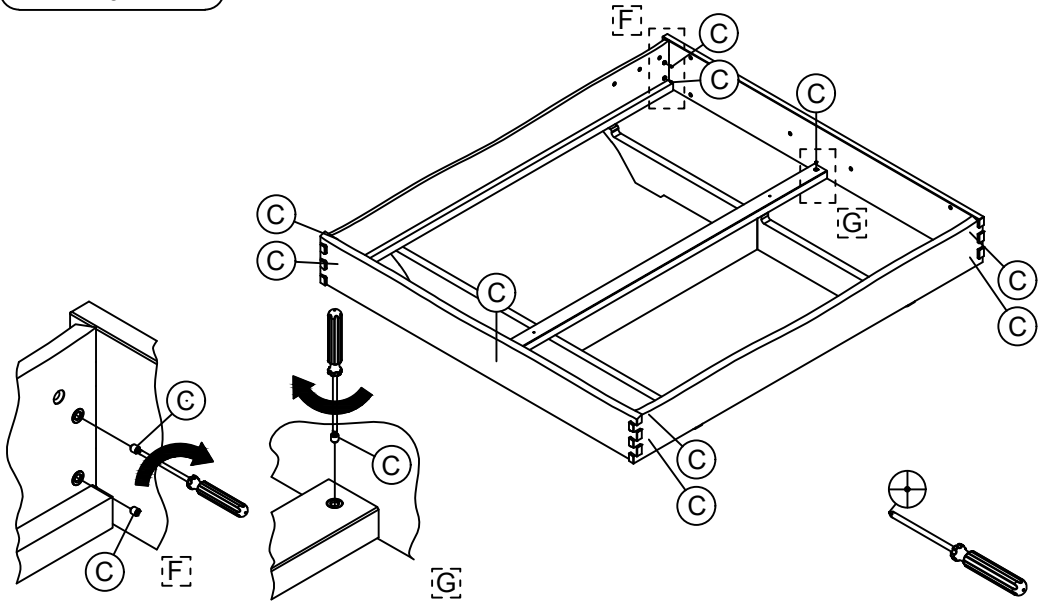


7



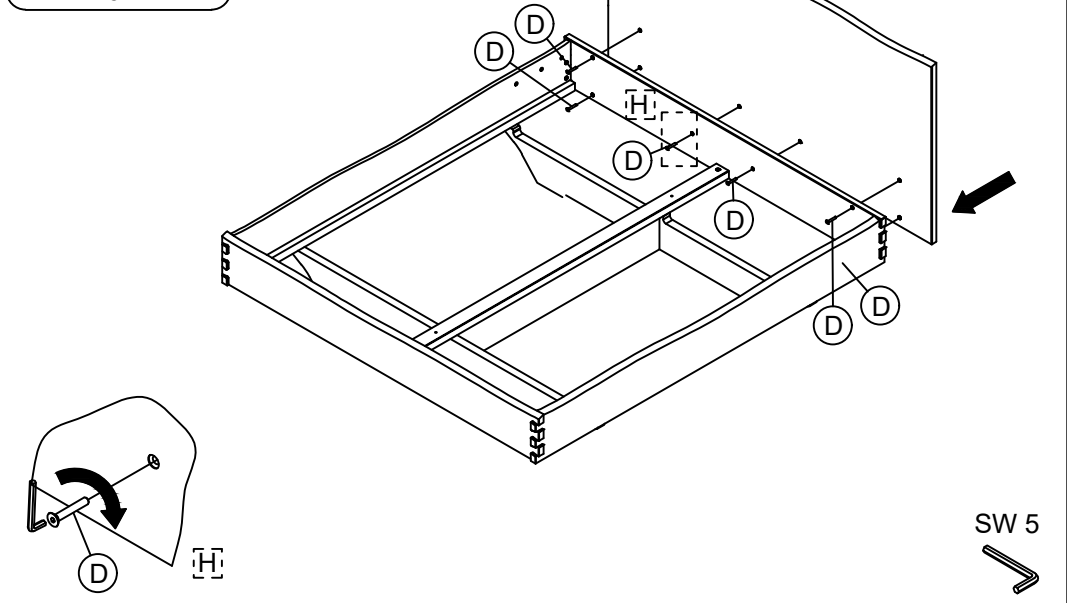
C M8x10
10 x

8



D M8x50
6 x

9



SW 5

G Ø8x40
2 x

10

